

Job Name	
Order No.	

HITACHI

Submittal Data Sheet	RAC-DJ36WHAA / RAK-DJ36PHAA
36,000 Btu/hr Wall Mounted Heat Pump System	



Efficiency

Cooling		Heating	
SEER2	19	HSPF2	9.5
EER2	9.5	COP	2.6

Performance

Cooling(Btu/hr)	
Rated(Min/Max)	33,000(7,000/34,000)
Sensible @AHRI	21,400
Operating Range	-0.4°F~114.8°F

Indoor: 80°F DB/67°F WB
Outdoor: 95°F DB/75°F WB

Heating(Btu/hr)

1: @ 47° Rated (Min/Max)	35,000(9,000/37,500)
2: @ 17° Rated	25,200
3: @ 5° Max: Capacity / COP	24,500/-
Operating Range	-5°F~75.2°F

1: Rated Heating Conditions: Indoor: 70°F DB/60°F WB
Outdoor: 47°F DB/43°F WB
2: Rated Heating Conditions: Indoor: 70°F DB/60°F WB
Outdoor: 17°F DB/15°F WB
3: Heating Conditions; Compressor
Operating at Max Frequency: Indoor: 70°F DB/60°F WB
Outdoor: 5°F DB/5°F WB

Electrical

	208/60/1	230/60/1
System MCA	27	27
System MFA	40	40
Compressor RLA	7.2	7.2
Outdoor fan motor FLA	8.8	8.8
Outdoor fan motor W	120	120
Indoor fan motor FLA	0.7	0.7
Indoor fan motor W	38	38

MFA: Max. fuse amps MCA: Min. circuit amps (A) FLA: Full load amps (A) RLA: Rated load amps (A) W: Fan motor rated output (W)

Piping

Liquid (in)	3/8
Gas (in)	5/8
Drain (in)	5/8
Max. Interunit Piping Length (ft)	165
Max. Interunit Height Difference (ft)	98.4
Chargeless (ft)	49
Additional Charge of Refrigerant (oz/ft)	0.27

Indoor Specifications

	Cooling		Heating	
	Hi2	M	Hi2	M
Airflow Rate (cfm)	660	470	710	530
	L		L	
	320		370	
Sound (dBA)	54		54	
Dimensions (W x H x D) (in)	43.3 x 11.8 x 10.2			
Airflow Inlet (H x W) (in)	4.4 X 36.8			
Weight (Lbs)	33.1 (15)			

Outdoor Specifications

Compressor	GTD226UKPA8LT6C		
Refrigerant	R32		
Factory Charge (Lbs)	4.85		
Refrigerant Oil	ACS-68R		
Airflow Rate (cfm)	Cooling	Heating	
	2,555	2,555	
Sound Pressure Level (dBA)	58		
Dimensions (W x H x D) (in)	37.4 x 37.2 x 14.6		
Weight (lbs)	177 (79.3)		

Recommended cable between Outdoor and Indoor 14AWG - 18AWG 4 conductors stranded copper wire and Power wiring cable size must comply with applicable national and local codes.

Optional Accessories:

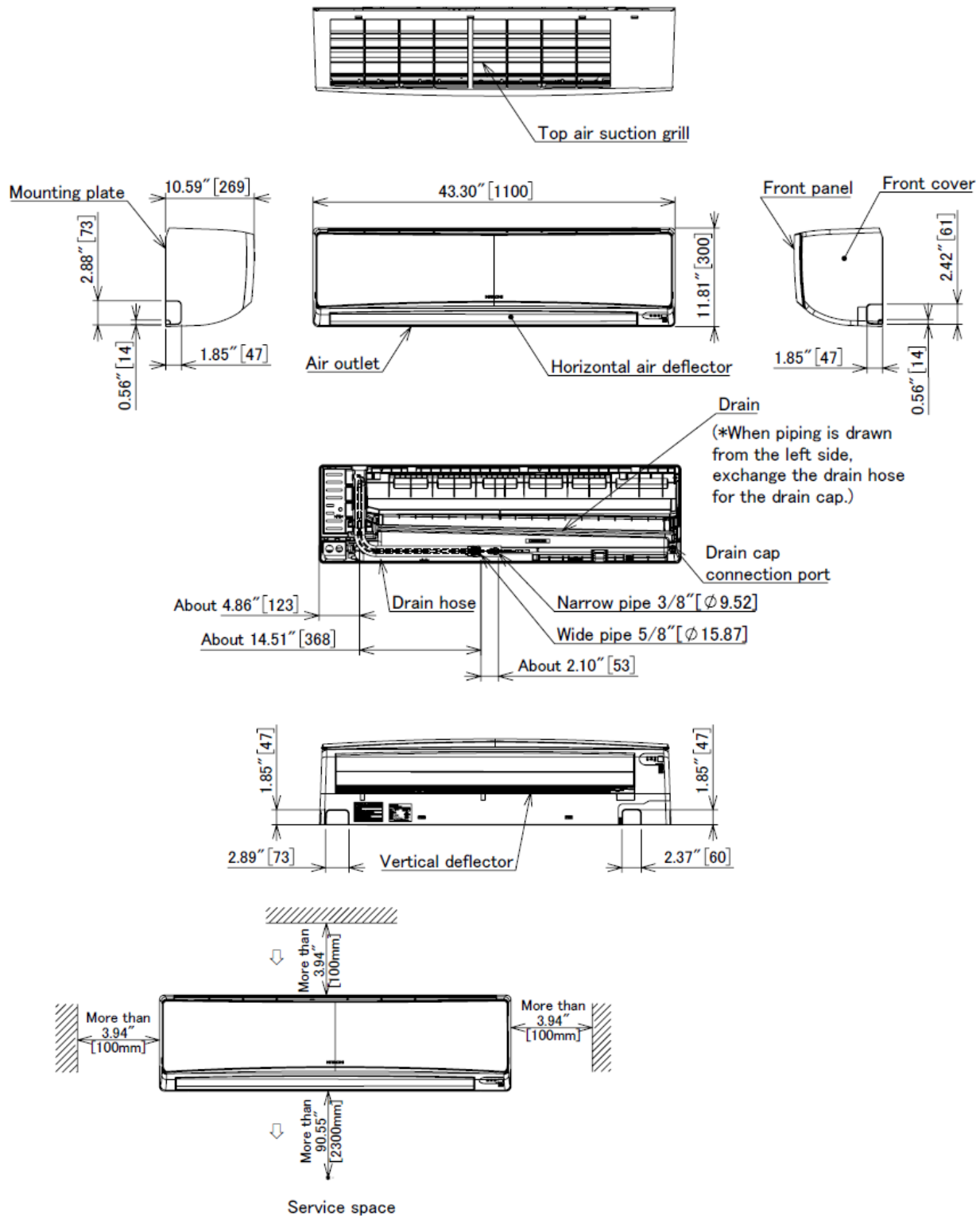
Description	Part Number
Remote Controller (Included) – N1	PMK-DJ09PHAAR05
Remote Control Support (Included)	PMK-DJ09PHAAR06
Remote Controller French – N3	PMK-DJ09PHAAR95
Wired Controller	SPX-URFG1
16.4 ft (5m) wire cable for SPX-URFG1	SPX-WKT5M
Wi-Fi Adapter	SPX-WFA03
H-Link Adapter IDU	PSC-6RAD
Adapter for Wired Remote Group Controller	SPX-DST1
26.2 ft (8m) Wire Cable for Distributor SPX-DST1	SPX-WDST8M
Dry Contact	SPX-WDC3
ON/OFF Status and Alarm Signal	SPX-WDC8
Mini Aqua Univolt 100V – 250V	DPWM-83819
Condenser Stand	DL87743
Condenser Wall Bracket	DL87733
5-Wire Thermostat / Wi-Fi / BACnet/Modbus Adapter	C1STAT01

Dimensional Data:

Indoor Unit:

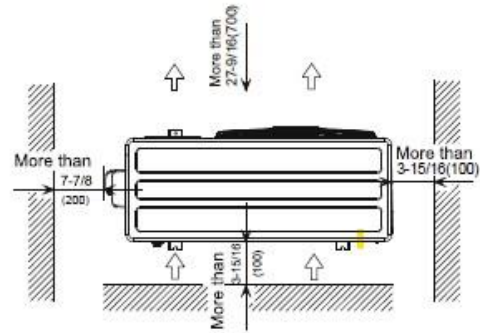
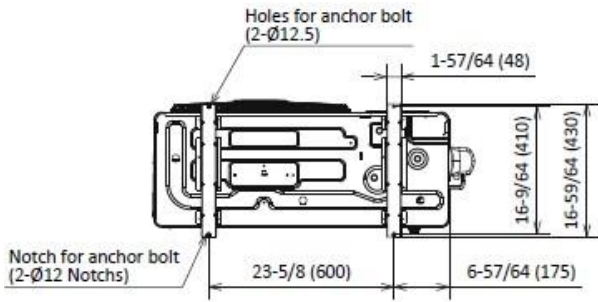
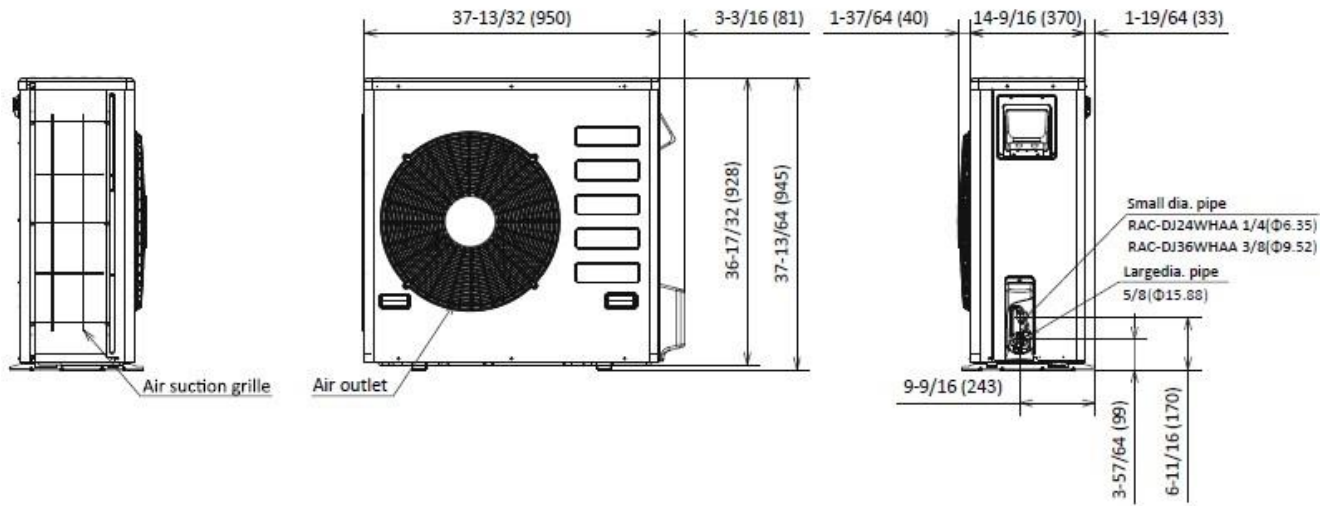
MODEL: RAK-DJ36PHAA

UNIT: Inch (mm)



Outdoor Unit:

MODEL : RAC-DJ24WHAA, RAC-DJ36WHAA



Service space